

### “No Touch” Request-to-Exit Sensor

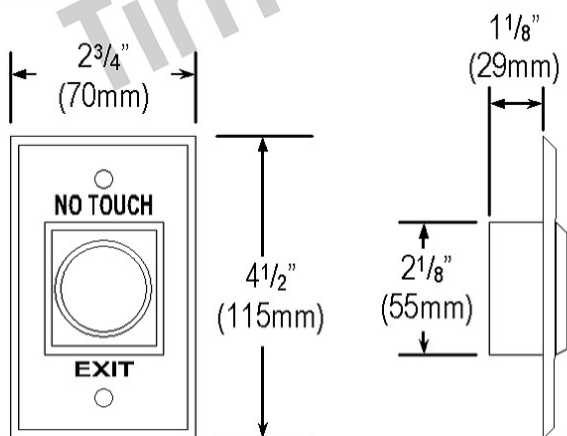
**‘No Touch / Exit’** “No Touch” Request-To-Exit Sensors use IR technology to request egress from a protected area or activate a device with the simple wave of a hand. Since no touch is required, this sensor is ideal for use in hospitals, clinics, labs, cleanrooms (to reduce the risk of contamination), schools, factories, or offices.

#### Features:

- ▶ Range up to 4" (10cm).
- ▶ Reliable IR technology senses motion.
- ▶ No touch reduces the risk of cross-contamination.
- ▶ Stainless steel single gang plate.
- ▶ 3A relay, triggers min. 0.5 sec. or as long as hand is near the sensor.
- ▶ LED illuminated sensor area for easy identification.
- ▶ Programmable LED changes from red to green or green to red.
- ▶ Quick connect screwless terminal block.



#### Dimensions:



#### Specifications:

Operating voltage	12VDC
Current draw	40mA@12VDC
Relay type	Form "C" NO/NC/COM
Switching capacity	3A@24VDC
Response time	10mS
LEDs	Green to red or red to green
Output time	0.5sec or as long as sensor is triggered
Range	4" (10cm)
Operating temperature	-4°~131° F (-20°~55° C)
Weight	3.0-oz. (85g)