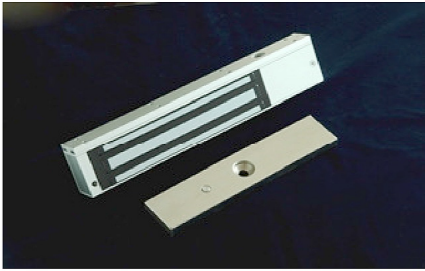




275 Series

600 Electromagnetic Lock

Model C275



Description

600 EM locks were designed to meet fire/life safety applications by providing an auxiliary locking mechanism that has no moving parts to bind or wear out for trouble free operation. This will ensure inhibited release at all times where they have become extremely prevalent in applications other than fire/life safety. Suitable for access controlled & secure areas within buildings.

Standard Features



Life Safety Applications



No Residual



Low Energy Consumption



Cost Savings

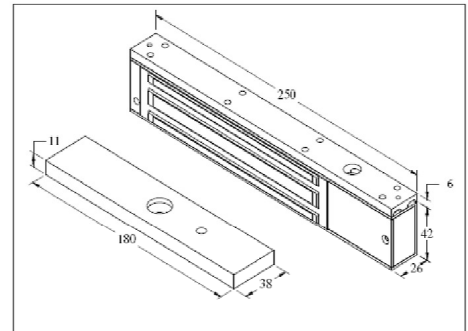


Ideal for all door type

Extended Features

(Optional)

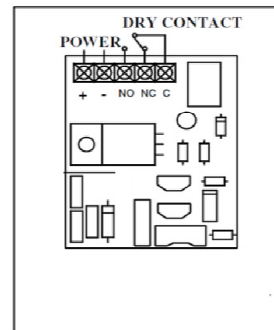
- Lock Status Monitoring
- Anodized Aluminium Housing
- CE Compliance
- TUV Certified



Specification

	C275
Magnet Size	250 X 42 X 26 mm
Armature Size	180 X 38 X 11 mm
Current Drain (Max)	530mA/12Vdc
Temperature	(-10 to 55)°C (14 to 131)°F
Weight	2.0kg

Wiring Diagram



DISCLAIMER:- Specifications are subject to change without prior notice.

- Attached photo is for reference purpose only, actual product may varies.

